

FLOOR PLAN

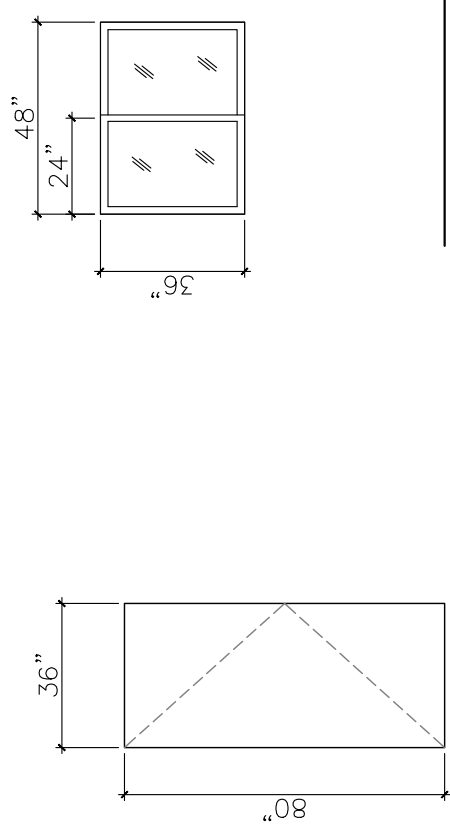
SCALE: 1/4" = 1'-0"

STYLE	QTY.	SIZE	DESCRIPTION	LOCK	REMARKS
①	2	3'0" x 6'8"	TELSTAR PRO= 20 ga. PRE-HUNG POLY INSULATED DOOR WITH 18 ga. FRAME- WEATHER STRIPPING, ADA THRESHOLD & SWEEP	TELL LC1281 KEYS	SS-NRP HINGES PREFINISHED TELL GRAY CLOSER TELLI2916
②	1	3'0" x 6'8"	SOLIDCORE VINYLWRAP WITH PREHUNG WOOD JAMB	TELL LC2675 PASSAGE	STD. HINGES VW OAK

NOTES:
 -DOOR HARDWARE SHALL BE COMPLIANT WITH ICC A117.1-2021 SECTION 404.2.6
 -ALL DOOR HARDWARE TO HAVE SATIN CHROME / ALUMINUM TYPE FINISH
 -SIGN ABOVE EXTERIOR DOORS - "THIS DOOR TO REMAIN UNLOCKED WHEN BUILDING IS OCCUPIED"

STYLE	QTY.	SIZE	DESCRIPTION
①	6	4'0" x 3'0"	HORIZONTAL SLIDER - DUAL GLAZE - LOW "E3" MILGARD- WHITE VINYL FINISH - ARGON MAX. U-FACTOR=0.28, MAX. SHGC=0.21, MIN. V.T.=0.50

NOTES:
 -GALVANIZED FLASHING INSTALLED UNDER EXTERIOR TRIM ABOVE WINDOWS.
 -INSTALL SELF-ADHESIVE FLASHING OVER EXTERIOR FLANGES PER RECOMMENDED INSTALLATION PATTERN.



NOTE: DOOR SWINGS MAY BE MIRRORED. REFER TO FLOOR PLAN.

NOTES:
 -THE TOP PLATES OF THE INTERIOR WALLS CAN SPAN A MAXIMUM OF 10'-0" BEFORE REQUIRING BRACING TO THE ROOF STRUCTURE OR AN INTERSECTING WALL.



Mike Fox
 (808) 767-6700
 mike@modularhawaii.com
 www.modularhawaii.com

OFFICE:
 800 Bethel Street, Suite 403
 Honolulu, Hawaii 96813

MOBILE
 12 x 44
 NONE

OFFICE for:
LEASE UNIT
 Modular Hawaii

25 BLMP HI-01

Approved for Const:
 File Copy:
 Drawn By:
 Issue Date:

Job No: 20632
A-1