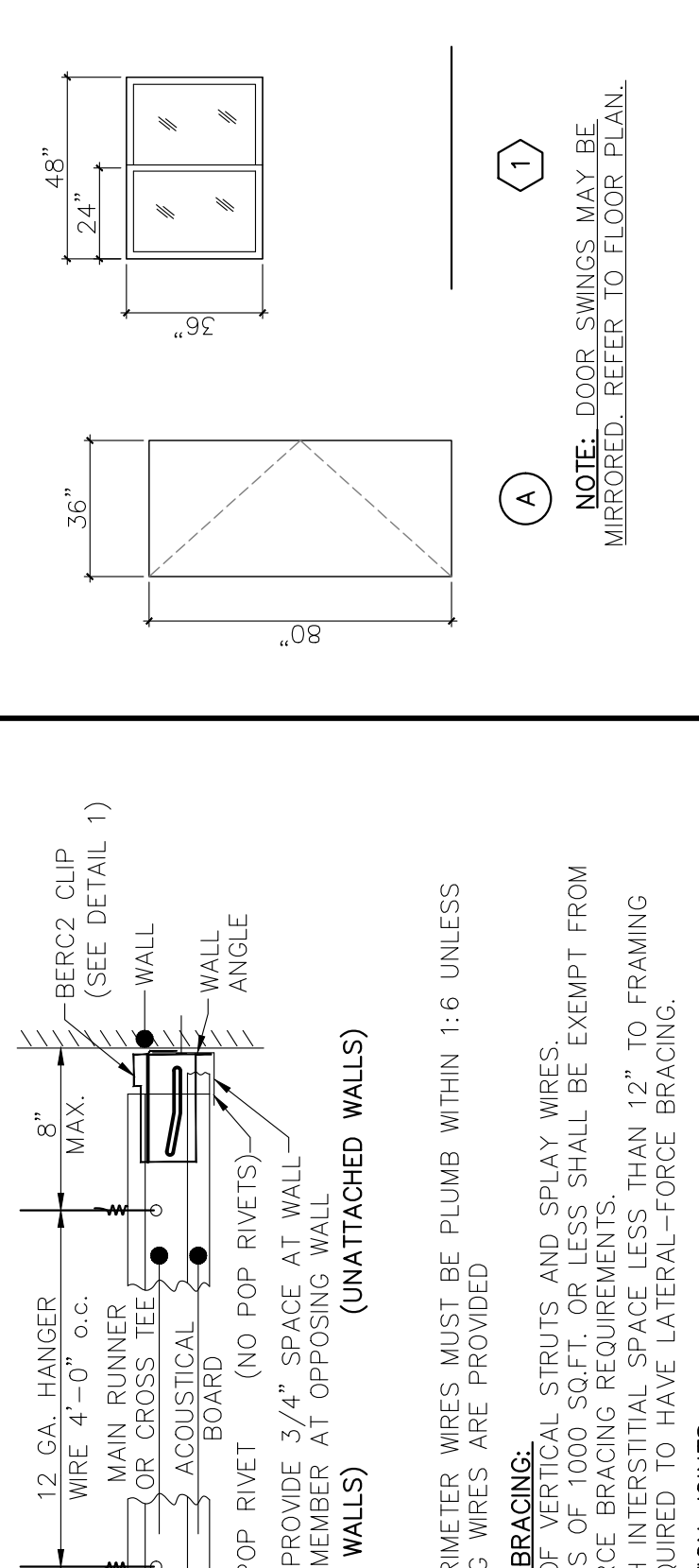


DOORS	STYLE	QTY.	SIZE	DESCRIPTION	LOCK	REMARKS
1	A	2	3'0" x 6'8"	TELSTAR PRO= 20 99. PRE-HUNG POLY INSULATED DOOR WITH 18 99. FRAME- WEATHER STRIPPING, ADA THRESHOLD & SWEEP	TELL LC1281 KEYPED	SS-NRP HINGES PREFINISHED TELL GRAY CLOSER TELL12916
2	A	1	3'0" x 6'8"	SOLIDCORE VINYLWRAP WITH PREHUNG WOOD JAMB	TELL LC2675 PASSAGE	STD. HINGES VW OAK

NOTES:  
 -DOOR HARDWARE SHALL BE COMPLIANT WITH ICC A117.1-2021 SECTION 404.2.6  
 -ALL DOOR HARDWARE TO HAVE SATIN CHROME / ALUMINUM TYPE FINISH  
 -SIGN ABOVE EXTERIOR DOORS - "THIS DOOR TO REMAIN UNLOCKED WHEN BUILDING IS OCCUPIED"

WINDOWS	STYLE	QTY.	SIZE	DESCRIPTION	LOCK	REMARKS
1	1	5	4'0" x 3'0"	HORIZONTAL SLIDER - DUAL GLAZE - LOW "E3" WHITE VINYL FINISH - ARGON MAX. U-FACTOR=0.28. MAX. SHGC=0.21. MIN. V.T.=0.50		



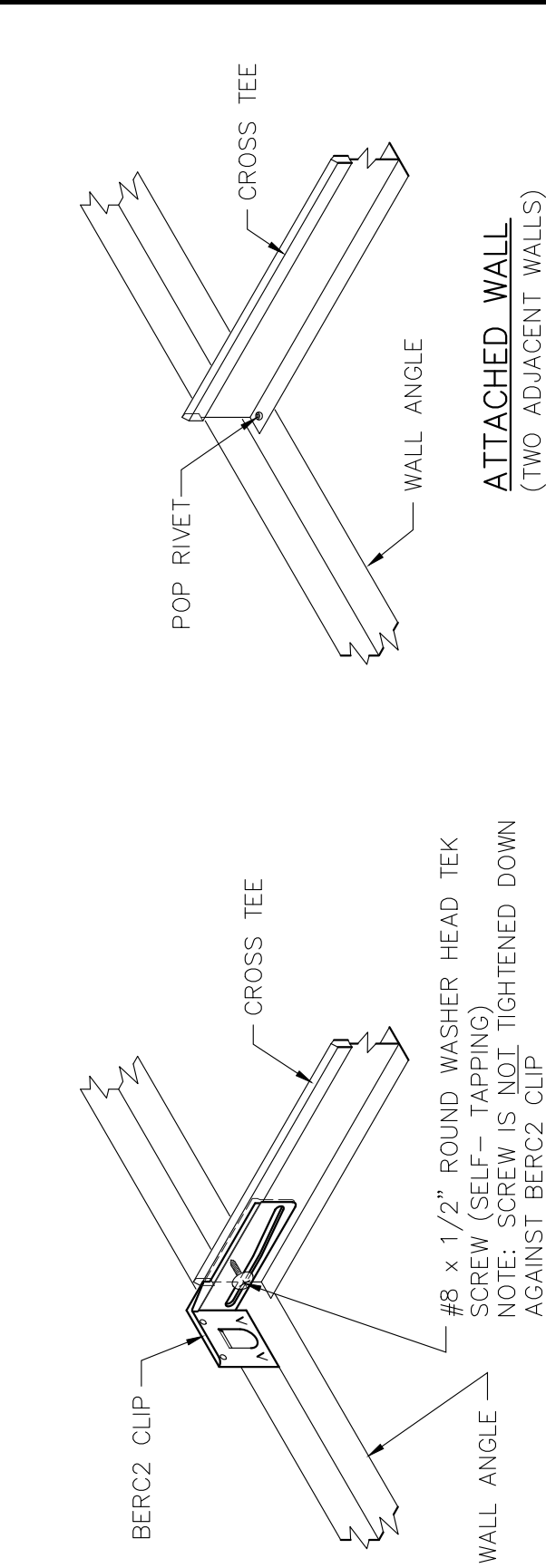
NOTE:  
 HANGER AND PERIMETER WIRES MUST BE PLUMB WITHIN 1:6 UNLESS COUNTER SLOPING WIRES ARE PROVIDED

**LATERAL-FORCE BRACING:**  
 - IS THE USE OF VERTICAL STRUTS AND SPLAY WIRES.  
 - CEILING AREAS OF 1000 SQ.FT. OR LESS SHALL BE EXEMPT FROM LATERAL-FORCE BRACING REQUIREMENTS.  
 - CEILINGS WITH INTERSTITIAL SPACE LESS THAN 12" TO FRAMING ARE NOT REQUIRED TO HAVE LATERAL-FORCE BRACING.

**SEISMIC SEPARATION JOINTS:**  
 - ALL CONTINUOUS CEILING AREAS EXCEEDING 2500 SQ.FT. SHALL HAVE A SEISMIC SEPARATION JOINT.

## 2 STANDARD T-BAR DETAIL

N.T.S.



**UNATTACHED WALL**  
 (TWO ADJACENT WALLS)  
 -#8 x 1/2" ROUND WASHER HEAD TEK SCREW (SELF-TAPPING)  
 NOTE: SCREW IS NOT TIGHTENED DOWN AGAINST BERC2 CLIP

**SEISMIC BERC2 CLIP**  
 -FACTORY INSTALLED AT TWO ADJACENT WALLS.  
 -SCREW TIGHTENED FOR SHIPPING IN ROOMS WHERE CEILING CROSSES MOD LINE, LOOSEN SCREW ON SITE BY SET UP CREW  
 -NOT REQUIRED FOR CEILINGS LESS THAN OR EQUAL TO 144 SF AND SURROUNDED BY WALLS CONNECTED TO THE STRUCTURE ABOVE.  
 -SOURCES: ASCE 7-16 SECTION 13.5.6 EXCEPTION 1, ASTM E580 SECTION 1.4

**ATTACHED WALL**  
 (TWO ADJACENT WALLS)

# 1 SEISMIC ATTACHMENT AT WALLS

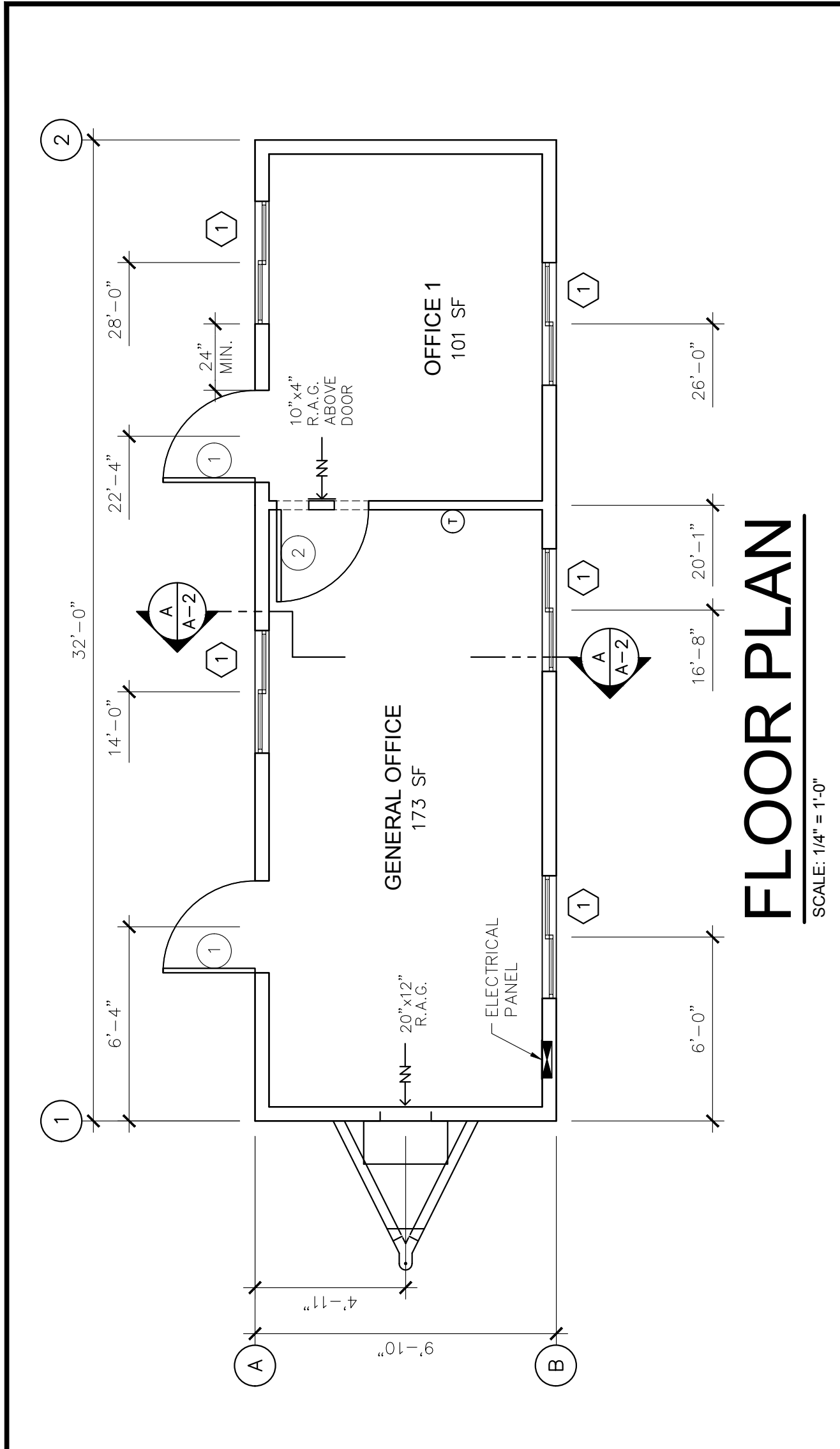
N.T.S.  
 [ARMSTRONG SEISMIC 'Rx' SUSPENSION SYSTEM (ESR 1308)]

**MODULAR HAWAII**  
 Mike Fox  
 (808) 767-6700  
 mike@modularthawaii.com  
 www.modularthawaii.com

**OFFICE:**  
 800 Bethel Street, Suite 403  
 Honolulu, Hawaii 96813

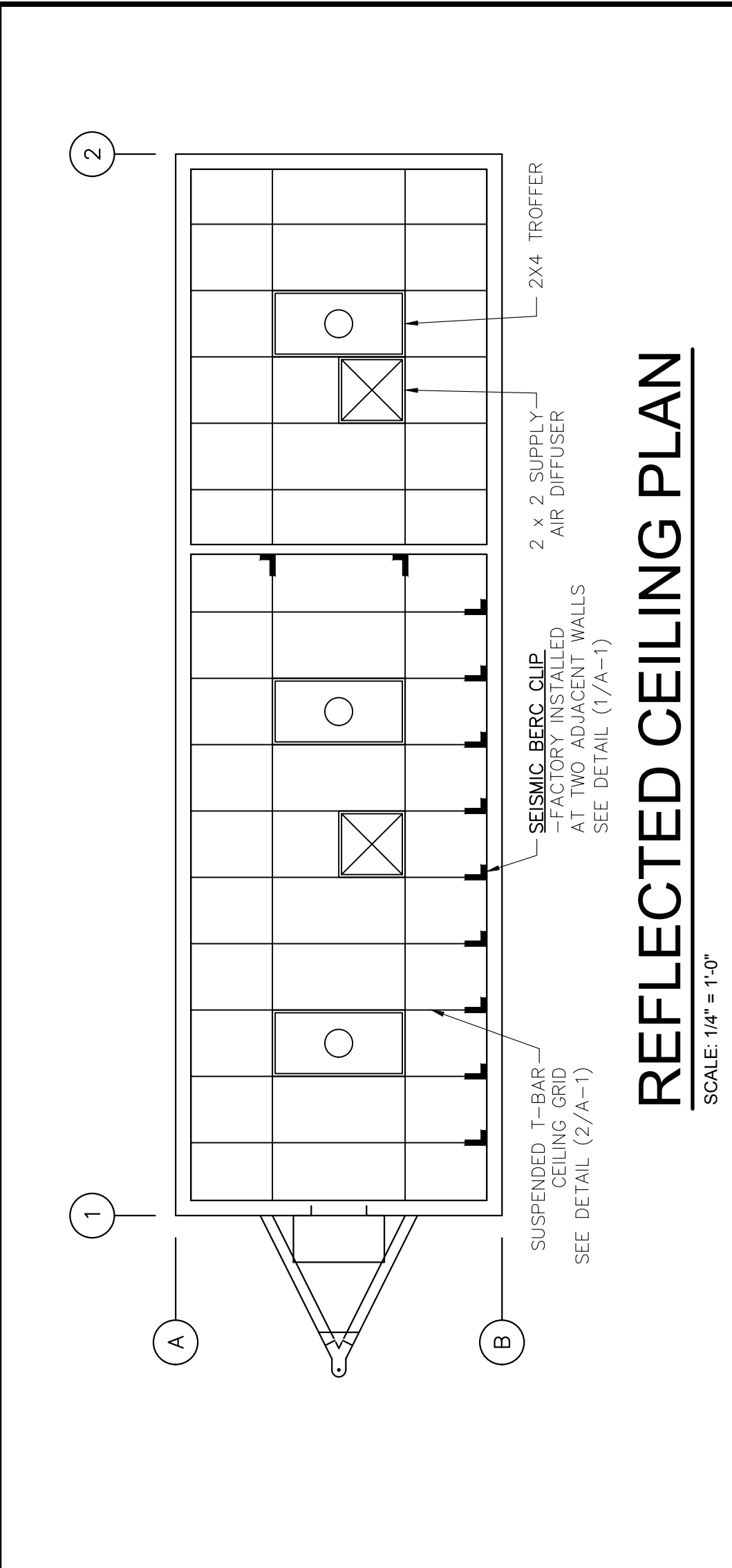
**MOBILE:**  
 10 x 32  
 NONE

NOTES:  
 -THE TOP PLATES OF THE INTERIOR WALLS CAN SPAN A MAXIMUM OF 10'-0" BEFORE REQUIRING BRACING TO THE ROOF STRUCTURE OR AN INTERSECTING WALL.



## FLOOR PLAN

SCALE: 1/4" = 1'-0"



## REFLECTED CEILING PLAN

SCALE: 1/4" = 1'-0"

Approved for Const: \_\_\_\_\_ Job No: 20632

File Copy: \_\_\_\_\_

Drawn By: \_\_\_\_\_

Issue Date: \_\_\_\_\_

25 BLMP HI-01

**OFFICE for:**  
**LEASE UNIT**  
 Modular Hawaii

**MODULAR HAWAII**

**OFFICE:**  
 800 Bethel Street, Suite 403  
 Honolulu, Hawaii 96813

**MOBILE:**  
 10 x 32  
 NONE

**A-1**