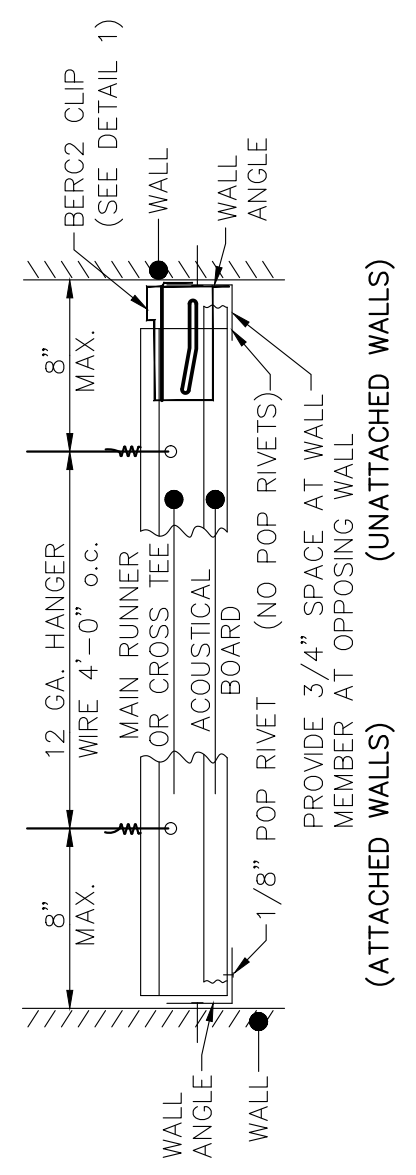


DOORS	STYLE	QTY.	SIZE	DESCRIPTION	LOCK	REMARKS
1	A	1	3'0" x 6'8"	TELSTAR PRO = 20 ga. PRE-HUNG POLY INSULATED DOOR WITH 18 ga. FRAME-WEATHER STRIPPING, ADA THRESHOLD & SWEEP	TELL LC1281 KEYS	SS-NRP HINGES PREFINISHED TELL GRAY CLOSER TELL 12916

NOTES:  
 -DOOR HARDWARE SHALL BE COMPLIANT WITH ICC A117.1-2021 SECTION 404.2.6  
 -ALL DOOR HARDWARE TO HAVE SATIN CHROME / ALUMINUM TYPE FINISH

WINDOWS	STYLE	QTY.	SIZE	DESCRIPTION	LOCK	REMARKS
1	1	4	4'0" x 3'0"	MILGARD- WHITE VINYL FINISH - ARGON MAX. U-FACTOR=0.28, MAX. SHGC=0.21, MIN. V.T.=0.50		HORIZONTAL SLIDER - DUAL GLAZE - LOW "E3"

NOTES:  
 -GALVANIZED FLASHING INSTALLED UNDER EXTERIOR TRIM ABOVE WINDOWS  
 -INSTALL SELF-ADHESIVE FLASHING OVER EXTERIOR FLANGES PER RECOMMENDED INSTALLATION PATTERN.



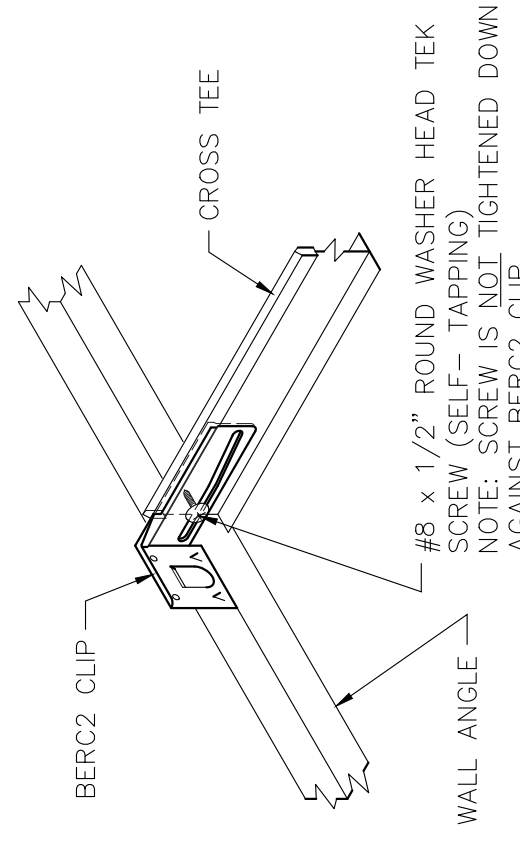
**NOTE:**  
 HANGER AND PERIMETER WIRES MUST BE PLUMB WITHIN 1:6 UNLESS COUNTER SLOPING WIRES ARE PROVIDED

**LATERAL-FORCE BRACING:**  
 IS THE USE OF VERTICAL STRUTS AND SPLAY WIRES. CEILING AREAS OF 1000 SQ.FT. OR LESS SHALL BE EXEMPT FROM LATERAL-FORCE BRACING REQUIREMENTS. CEILINGS WITH INTERSTITIAL SPACE LESS THAN 12" TO FRAMING ARE NOT REQUIRED TO HAVE LATERAL-FORCE BRACING.

**SEISMIC SEPARATION JOINTS:**  
 ALL CONTINUOUS CEILING AREAS EXCEEDING 2500 SQ.FT. SHALL HAVE A SEISMIC SEPARATION JOINT.

### STANDARD T-BAR DETAIL

N.T.S.



**UNATTACHED WALL**  
 (TWO ADJACENT WALLS)

**SEISMIC BERC2 CLIP**  
 -FACTORY INSTALLED AT TWO ADJACENT WALLS.  
 -SCREW TIGHTENED FOR SHIPPING IN ROOMS WHERE CEILING CROSSES MOD LINE. LOOSEN SCREW ON SITE BY SET UP CREW  
 -NOT REQUIRED FOR CEILINGS LESS THAN OR EQUAL TO 144 SF AND SURROUNDED BY WALLS CONNECTED TO THE STRUCTURE ABOVE.  
 -SOURCES: ASCE 7-16 SECTION 13.5.6 EXCEPTION 1, ASTM E580 SECTION 1.4

**ATTACHED WALL**  
 (TWO ADJACENT WALLS)

**SEISMIC ATTACHMENT AT WALLS**  
 N.T.S.  
 [ARMSTRONG SEISMIC 'Rx' SUSPENSION SYSTEM (ESR 1308)]



Mike Fox  
 (808) 767-6700  
 mike@modularhawaii.com  
 www.modularhawaii.com

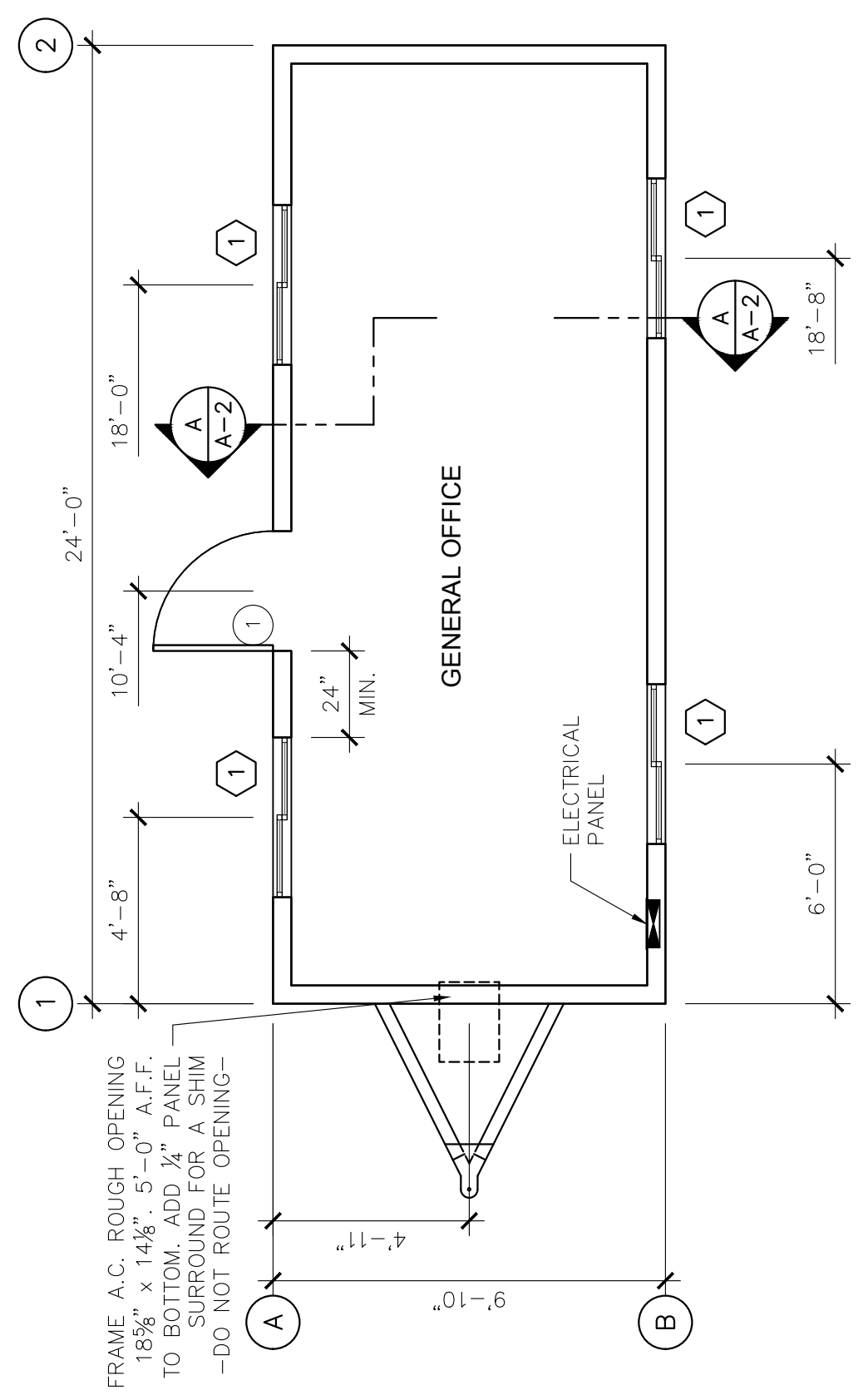
OFFICE:  
 800 Bethel Street, Suite 403  
 Honolulu, Hawaii 96813

MOBILE  
 10 x 24  
 NONE

OFFICE for:  
**LEASE UNIT**  
 Modular Hawaii

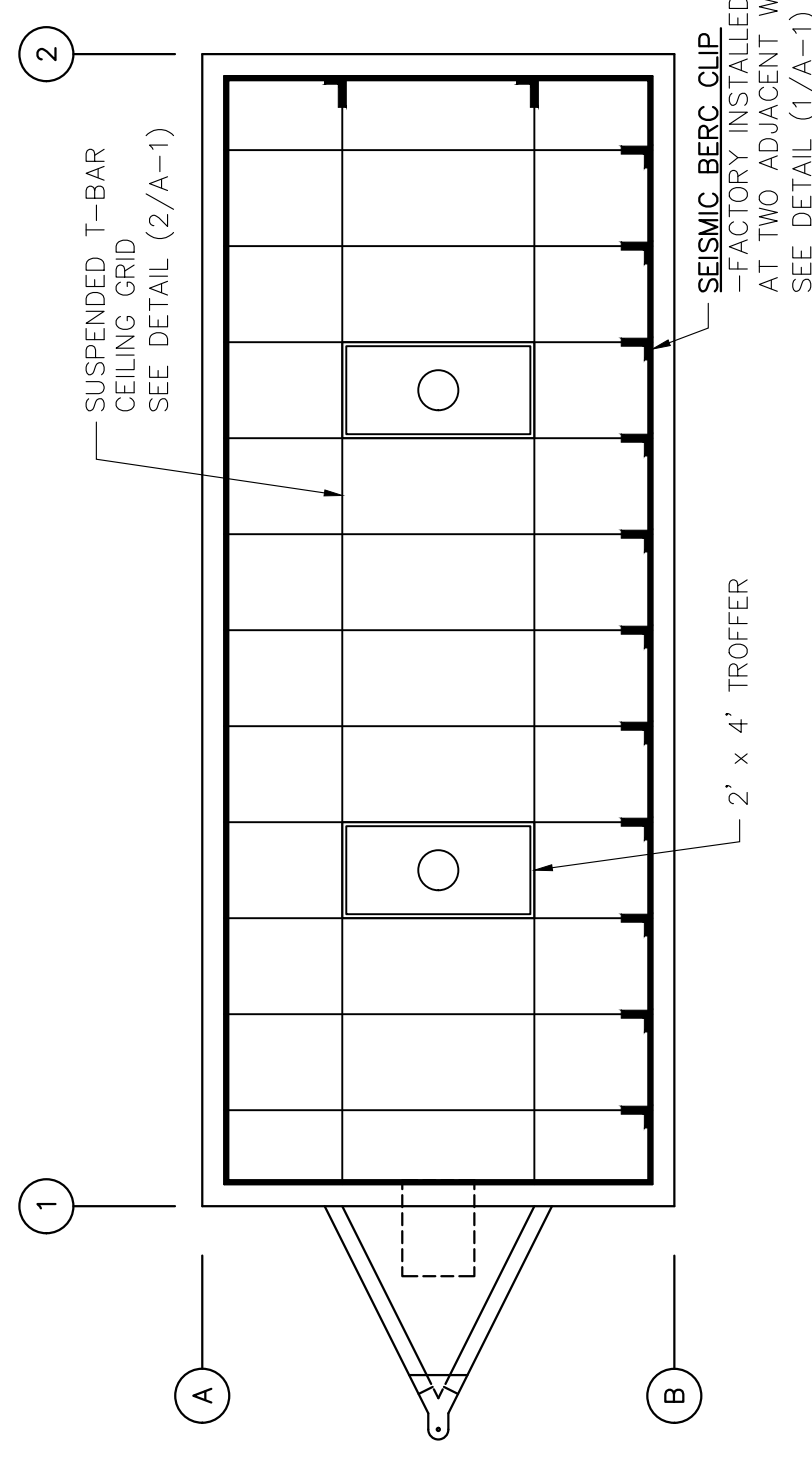
25 BLMP HI-01

Approved for Const.:  
 File Copy:  
 Drawn By:  
 Issue Date:  
 Job No: 20632  
**A-1**



### FLOOR PLAN

SCALE: 1/4" = 1'-0"



### REFLECTED CEILING PLAN

SCALE: 1/4" = 1'-0"